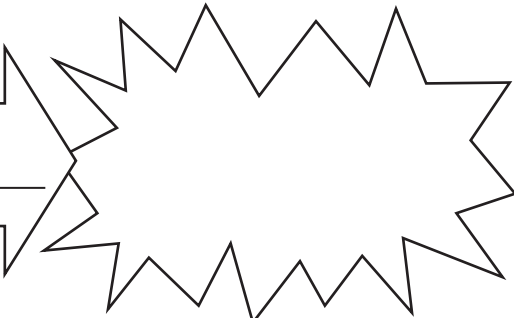
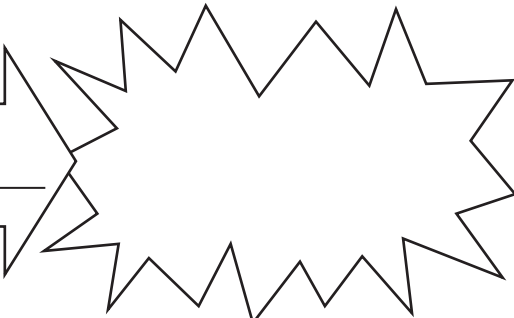


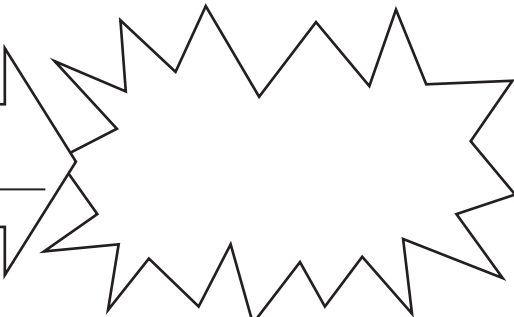
Name _____ Class _____ Date _____

Cause with Multiple Effects Graphic Organizer

Directions: To complete the graphic organizer below, write your cause in the box. Then identify two or more effects of the cause you have chosen, and put one in each starburst. List the transition word from each body paragraph in the arrows. Then, identify the specific support for each general effect that you will include in each body paragraph.

		Effects	
Cause: _____	→		_____

	→		_____

	→		_____

